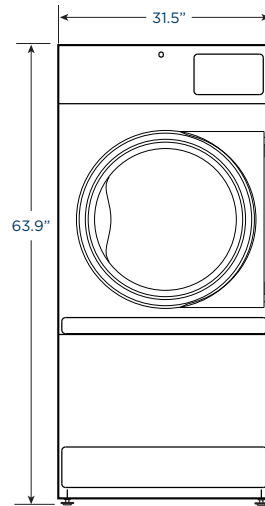


# CG30-40

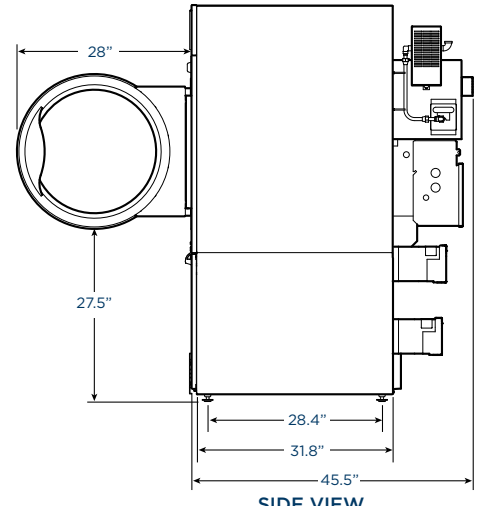
## PRO-SERIES II DRYING TUMBLER

Revised 2018 (Starting Serial #1804)

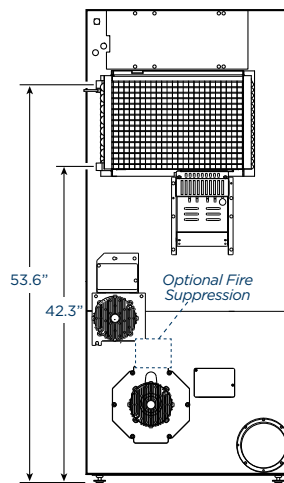
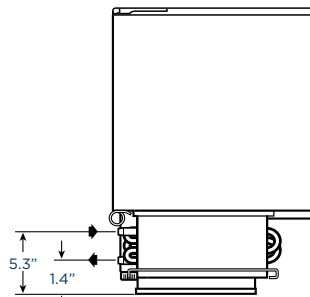
PRODUCT SPECS	
Capacity <i>lbs</i>	up to 40
Cylinder Diameter <i>inch</i>	30
Cylinder Depth <i>inch</i>	30
Cylinder Volume <i>cu ft</i>	12.3
Net Weight <i>lbs (gas/steam models)</i>	340 - 350
Crated Weight <i>lbs (standard)</i>	360 - 370
Machine Width <i>inch</i>	31.5
Machine Depth <i>inch</i>	45.5
Machine Height <i>inch</i>	63.9
Door Opening <i>inch</i>	23.7
Floor to Door <i>inch</i>	27.5
Shipping Dimensions <i>inch</i> WxDxH	33 x 49 x 67.6
Exhaust Diameter <i>inch</i>	8
Exhaust Air Flow <i>cfm</i>	600
Exhaust Back Pressure (max) <i>WCI</i>	0.60
Required Makeup Air <i>sq in</i>	144
Electric Heating <i>kW</i>	24
Gas Connection <i>inch</i>	1/2 NPT
Gas Heating <i>BTU/h</i>	90,000
Gas Pressure (max/recommended/min) Natural Gas <i>wc</i> Propane <i>wc</i>	10.5 / 6.5 / 5 13 / 11 / 10
Steam Connection <i>inch</i>	3/4 NPT
Steam Heating <i>BTU/h</i> at 100 PSI	103,400
BHP Consumption <i>BHP</i> at 100 PSI	4.8



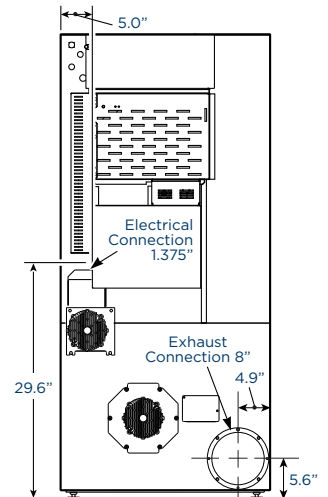
FRONT VIEW



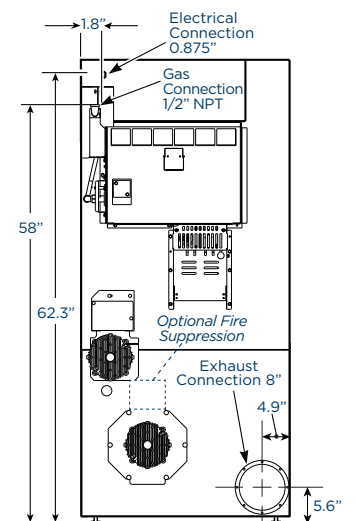
SIDE VIEW



BACK VIEW - Steam



BACK VIEW - Electric



BACK VIEW - Gas

### GAS/STEAM MODELS

AVAILABLE VOLTAGES	WIRE CONDUCTOR	FULL LOAD AMPS	RECOMMENDED BREAKER SIZE
100-120/50-60/1	1W+N+G	10	15
200-240/50-60/1	2W+G	6	15
380-415/50-60/3	3W+G	3	15
440-480/50-60/3	3W+G	3	15

### ELECTRIC MODELS - CLASSIC 24 kW

AVAILABLE VOLTAGES	WIRE CONDUCTOR	FULL LOAD AMPS	RECOMMENDED BREAKER SIZE
200-208/50-60/1	2W+G	118	150
230-240/50-60/1	2W+G	102	150
200-208/50-60/3	3W+G	64	90
230-240/50-60/3	3W+G	59	80
380/50-60/3	3W+G	39	50
400-415/50-60/3	3W+G	34	45
440/50-60/3	3W+G	32	40
460-480/50-60/3	3W+G	30	40

\* Specifications subject to change without notice or obligation. Contact Continental Girbau at (800) 256-1073 for dimensions not shown or for clarification.