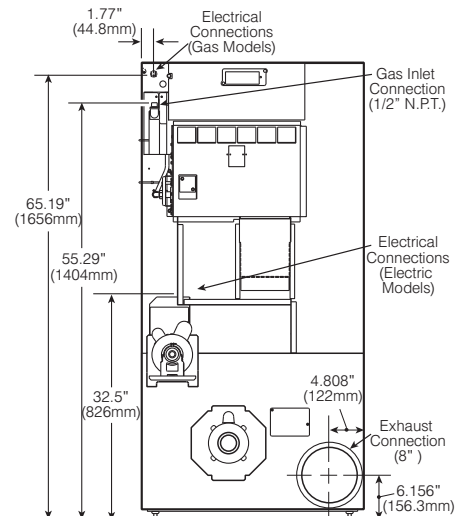
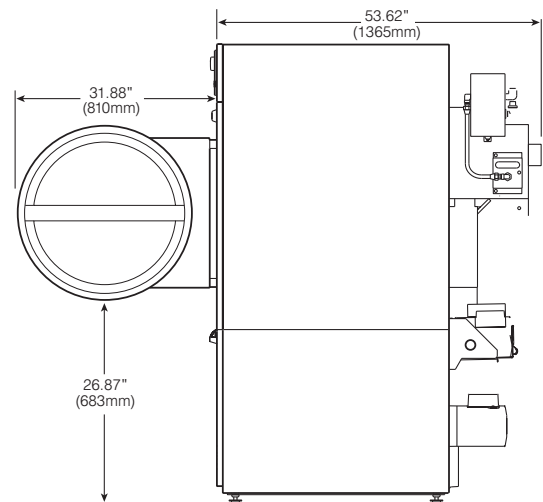
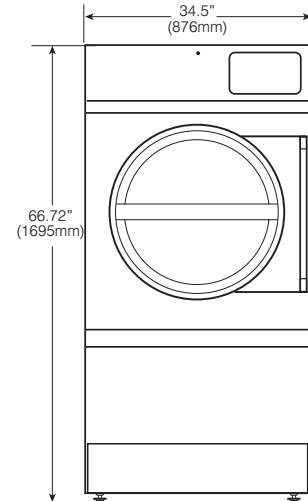




# ExpressDry55

VENDED EXPRESSDRY 55-POUND CAPACITY  
SINGLE-POCKET DRYING TUMBLERS

Capacity <i>lbs</i>	55
Cylinder Diameter <i>inch</i>	33
Cylinder Depth <i>inch</i>	35
Cylinder Volume <i>cu ft</i>	17.3
Net Weight <i>lbs</i>	435
Crated Weight <i>lbs</i>	476
Machine Width <i>inch</i>	34.5
Machine Depth <i>inch</i>	53.62
Machine Height <i>inch</i>	66.72
Door Opening <i>inch</i>	26.89
Floor to Door <i>inch</i>	26.87
Shipping Dimensions <i>inch</i> (WxDxH)	35.5 x 59 x 72
Motor Power <i>Hp</i>	2 @ 1/2
Reversing Motor Power <i>Hp</i>	2 @ 1/4
Exhaust Diameter <i>inch</i>	8
Exhaust Air Flow <i>cfm</i>	700
Electric Heating <i>kW</i>	27
Gas Connection <i>inch</i>	1/2 NPT
Gas Heating <i>BTU/h</i>	112000
Available Voltages/Wire Conductor/Amp (Rev Amp)	
Gas	120/60/1, 1W + N + G, 9.2 208-240/60/1, 2W + N + G, 6.5 200-208/60/3, 3W + G, 4.0 (4.0) 240/60/3, 3W + G, 4.0 (4.5)
Electric	208/60/1, 2W + N + G, 129 240/60/1, 2W + N + G, 115 200-208/60/3, 3W + G, 79 (79) 240/60/3, 3W + G, 65 (65)
Make-up Air Supply <i>inch<sup>2</sup></i>	144



\* Specifications subject to change without notice or obligation. Call Continental Girbau Inc for dimensions not shown or for clarification.